



TREADE



BLIND FLANGE VALVES

The improved top quality 100% tight

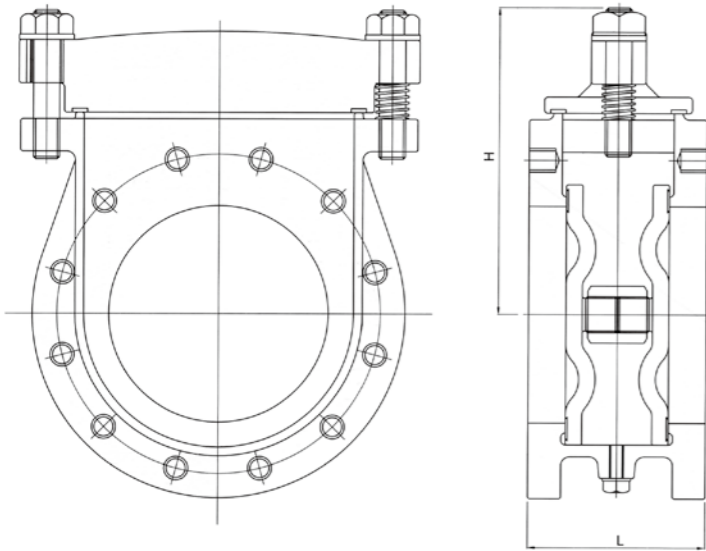


Size:DN50~DN300(2"~12")
 Pressure class:DIN PN 10/16/25
 JIS
 10K/16K/20K
 ANSI 150lbs

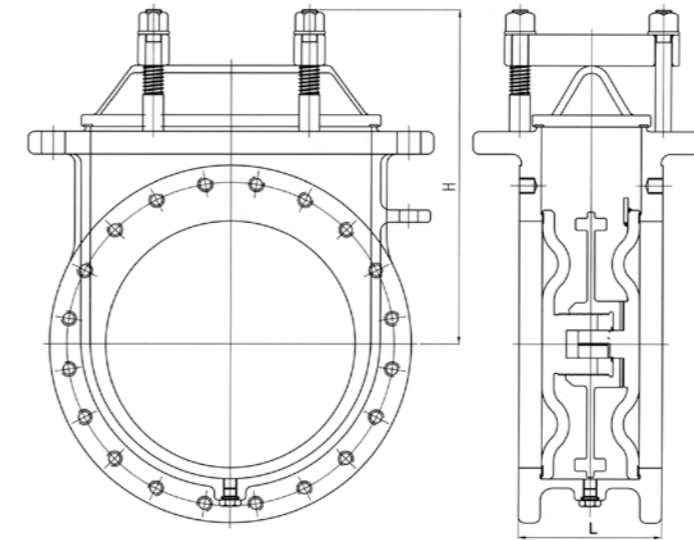
Standard Series
 Fig No:S7

Size:DN350~DN700(14"~28")
 Pressure class:DIN PN 10/16
 JIS 10K/16K
 ANSI 150lbs

Standard Series
 Fig No:S7



DIMENSIONS		Unit:mm			
SIZE		PN10	PN16	JIS 10K	JIS 20K
2"	H	180.5	180.5	180.5	180.5
	L	154.0	154.0	154.0	154.0
2-1/2"	H	191.0	191.0	188.5	191.0
	L	154.0	154.0	154.0	154.0
3"	H	200.0	200.0	200.0	200.0
	L	154.0	154.0	154.0	154.0
4"	H	233.0	233.0	233.0	233.0
	L	162.0	162.0	162.0	162.0
5"	H	240.5	240.5	240.5	240.0
	L	162.0	162.0	162.0	162.0
6"	H	258.5	258.5	259.0	260.0
	L	162.0	162.0	162.0	162.0
8"	H	293.0	293.0	291.0	293.0
	L	162.0	162.0	162.0	162.0
10"	H	320.0	320.0	316.3	316.3
	L	200.0	200.0	200.0	200.0
12"	H	334.0	334.0	356.0	356.0
	L	200.0	200.0	200.0	200.0



DIMENSIONS		Unit:mm			
SIZE		PN10	PN16	JIS 10K	JIS 20K
14"	H	505.0	505.0	505.0	505.0
	L	230.0	230.0	230.0	230.0
16"	H	540.0	540.0	540.0	540.0
	L	230.0	230.0	230.0	230.0
18"	H	602.5	602.5	602.5	602.5
	L	260.0	260.0	260.0	260.0
20"	H	645.0	645.0	645.0	645.0
	L	272.0	272.0	272.0	272.0
22"	H	703.0	703.0	703.0	703.0
	L	350.0	350.0	350.0	350.0
24"	H	730.0	730.0	730.0	730.0
	L	370.0	370.0	370.0	370.0
28"	H	785.0	785.0	785.0	785.0
	L	410.0	410.0	410.0	410.0

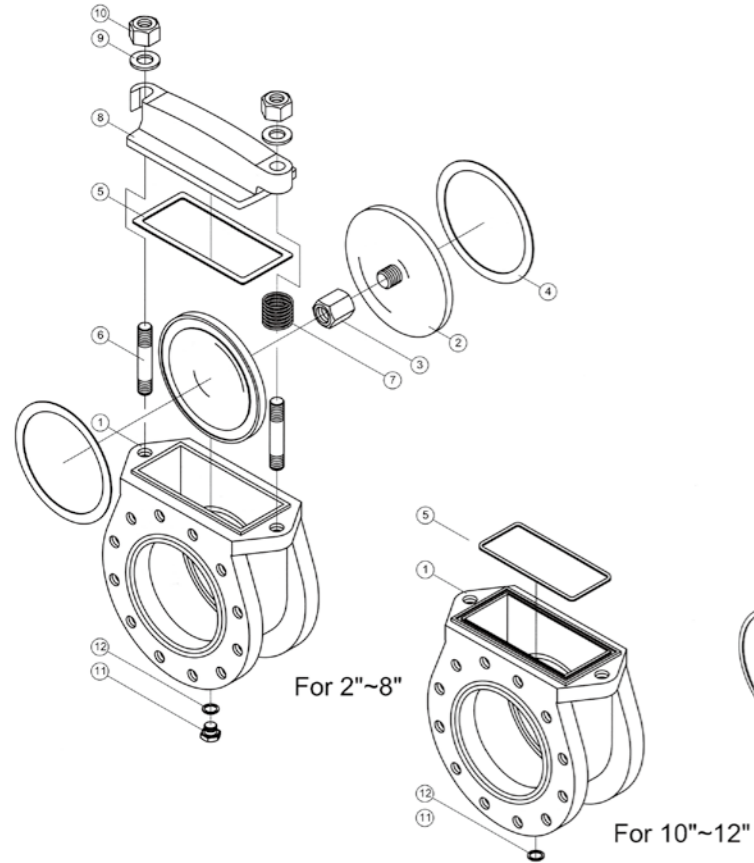
MATERIALS LIST

PART NAME	TYPE S.S	TYPE C.S.
DRAIN PLUG	AISI 316	AISI 316
DRAIN PLUG SEAL	PTFE	PTFE
BODY	A351 Gr.CF8M(Mo Min 2.75%)	A216 Gr.WCB
DISC SEAL	PTFE	PTFE
TOP COVER SEAL	KEMFLON+PTFE	KEMFLON+PTFE
TOP COVER	A351 Gr.CF8M(Mo Min 2.75%)	A216 Gr.WCB
DISC	A351 Gr.CF8M(Mo Min 2.75%)	A351 Gr.CF8M(Mo Min 2.75%)
SPRING	STAINLESS STEEL	STAINLESS STEEL
WASHER	AISI 316	AISI 316
TIGHTENING NUT	A351 Gr.CF8M(Mo Min 2.75%)	A351 Gr.CF8M (Mo Min 2.75%)
TOP COVER BOLTS	AISI 316	AISI 316
TOP COVER NUT	AISI 316	AISI 316

MATERIALS LIST

PART NAME	TYPE S.S	TYPE C.S.
DRAIN PLUG	AISI 316	AISI 316
DRAIN PLUG SEAL	PTFE	PTFE
BODY	A351 Gr.CF8M(Mo Min 2.75%)	A216 Gr.WCB
DISC SEAL	PTFE	PTFE
TOP COVER SEAL	KEMFLON+PTFE	KEMFLON+PTFE
TOP COVER	A351 Gr.CF8M(Mo Min 2.75%)	A216 Gr.WCB
DISC	A351 Gr.CF8M(Mo Min 2.75%)	A351 Gr.CF8M(Mo Min 2.75%)
DISC	A351 Gr.CF8M(Mo Min 2.75%)	A351 Gr.CF8M(Mo Min 2.75%)
TIGHTENING-DISC	A351 Gr.CF8M(Mo Min 2.75%)	A351 Gr.CF8M(Mo Min 2.75%)
SEGER-RING	AISI 316	AISI 316
FRICITION WASHER	PTFE	PTFE
PRESSURE WASHER	BRONZE	BRONZE
STOPPER	AISI 316	AISI 316
TOP COVER BOLTS	AISI 316	AISI 316
SPRING	AISI 304	AISI 304
WASHER	AISI 316	AISI 316
TOP COVER NUT	AISI 316	AISI 316
COVER-BAR	AISI 316	AISI 316

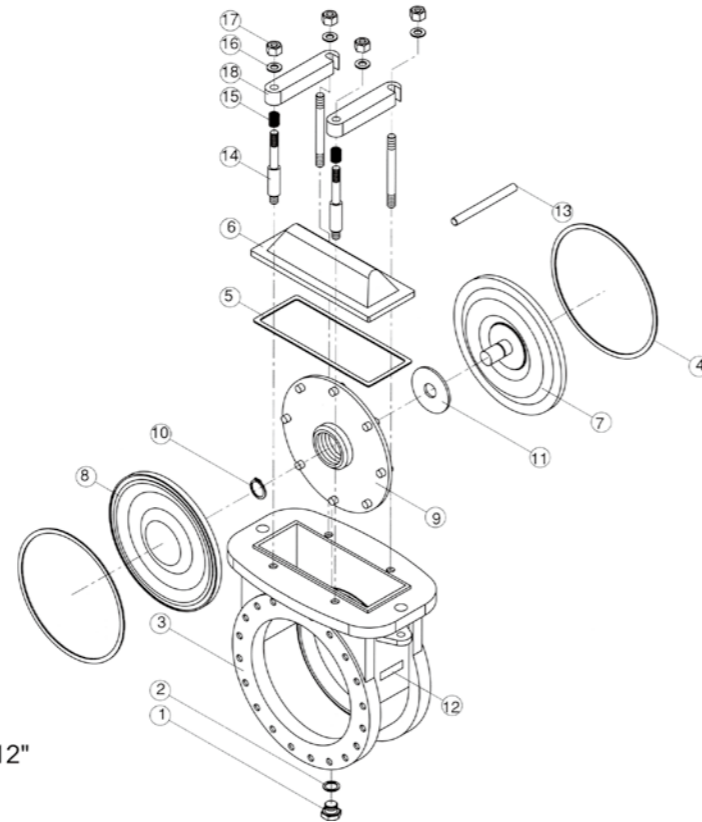
Size: DN50~DN300 (2"~12")



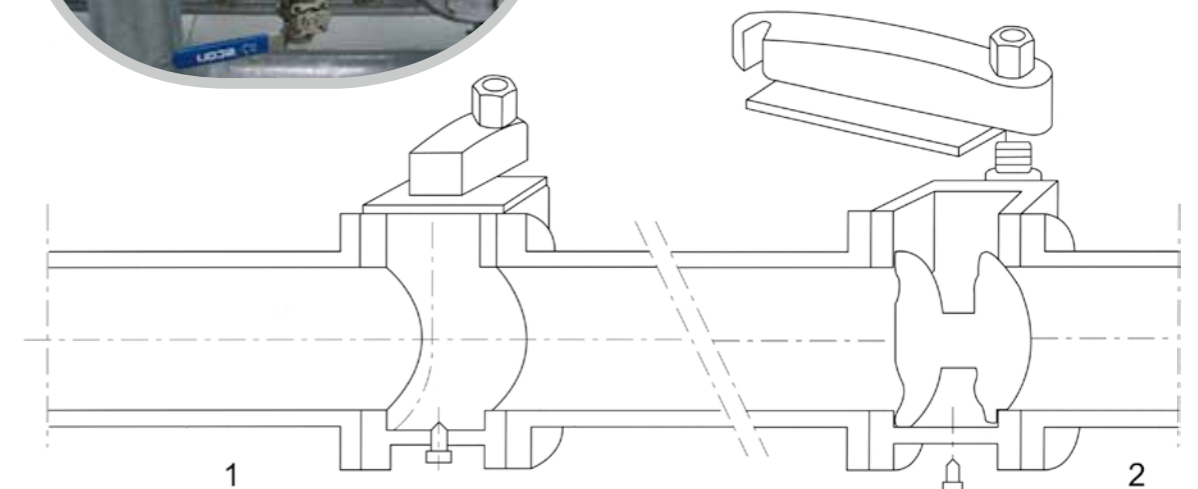
Standard Series

Fig No: S7

Size: DN350~DN700
(14"~28")



BLIND FLANGE VALVE



1. VALVE OPEN:

Top cover in position and valve discs removed.

2. VALVE CLOSED:

Valve discs in position cover plates removed.

FREE FLOW

100% TIGHT

OPTIONAL TOP COVER



MATERIALS LIST

NO.	PART NAME	TYPE S.S	TYPE C.S.
1	BODY	A351 Gr.CF8M (Mo Min 2.75%)	A216 Gr.WCB
2	DISC	A351 Gr.CF8M (Mo Min 2.75%)	A351 Gr.CF8M (Mo Min 2.75%)
3	TIGHTENING NUT	A351 Gr.CF8M (Mo Min 2.75%)	A351 Gr.CF8M (Mo Min 2.75%)
4	DISC SEAL	PTFE	PTFE
5	TOP COVER SEAL	KEMFLON+PTFE	KEMFLON+PTFE
6	TOP COVER BOLTS	AISI 316	AISI 316
7	SPRING	AISI 304	AISI 304
8	TOP COVER	A351 Gr.CF8M (Mo Min 2.75%)	A216 Gr.WCB
9	WASHER	AISI 316	AISI 316
10	TOP COVER NUT	AISI 316	AISI 316
11	DRAIN PLUG	AISI 316	AISI 316
12	DRAIN PLUG SEAL	PTFE	PTFE

MATERIALS LIST

NO.	PART NAME	TYPE S.S	TYPE C.S.
1	DRAIN PLUG	AISI 316	AISI 316
2	DRAIN PLUG SEAL	PTFE	PTFE
3	BODY	A351 Gr.CF8M (Mo Min 2.75%)	A216 Gr.WCB
4	DISC SEAL	PTFE	PTFE
5	TOP COVER SEAL	KEMFLON+PTFE	KEMFLON+PTFE
6	TOP COVER	A351 Gr.CF8M (Mo Min 2.75%)	A216 Gr.WCB
7	DISC-BOLT	A351 Gr.CF8M (Mo Min 2.75%)	A351 Gr.CF8M (Mo Min 2.75%)
8	DISC-ROD	A351 Gr.CF8M (Mo Min 2.75%)	A351 Gr.CF8M (Mo Min 2.75%)
9	TIGHTENING-DISC	A351 Gr.CF8M (Mo Min 2.75%)	A351 Gr.CF8M (Mo Min 2.75%)
10	SEEGER-RING	AISI 316	AISI 316
11	FRICTION WASHER	PTFE	PTFE
12	PRESSURE WASHER	BRONZE	BRONZE
13	STOPPER	AISI 316	AISI 316
14	TOP COVER BOLTS	AISI 316	AISI 316
15	SPRING	AISI 304	AISI 304
16	WASHER	AISI 316	AISI 316
17	TOP COVER NUT	AISI 316	AISI 316
18	COVER-BAR	AISI 316	AISI 316



Our delivery program also includes:

- Rubber lined Butterfly Valves
- High performance Butterfly Valves
- Actuators (Hydraulic/Pneumatic/Electric/Electro Hydraulic)
- Overboard/Discharge Valves
- Globe- and SDNR Valves
- Fire Valves w/Storz or Nor type couplings
- Gate Valves
- Check Valves
- Air Vent Heads
- Cocks, Ball- and Plug Valves
- Self Closing Valves
- Diaphragm Valves
- High Pressure Vacuum Valves
- Quick Closing Valves (Manual/Hydraulic/Pneumatic)
- Hydraulic and Pneumatic Cabinets for Quick Closing Valves
- Storm Flap Valves
- Strainers and Mud Boxes
- Valves Chests

Treadé can assist in tailoring valves and -packages to Your needs and requirements. Try us!

**Postal address:
TREADÉ A.S.
P.O. Box 135, No-1601
Fredrikstad Norway**

**Visiting address:
TREADÉ A.S.
Freskoveien 5160
5 Fredrikstad Norway**

**Tel:+47 69 36 76 60
Fax:+47 69 36 76 61
E-mail:treade@treade.no
<http://www.treade.no>**